

Kinetico K5

Drinking Water Station

Installation & User Manual



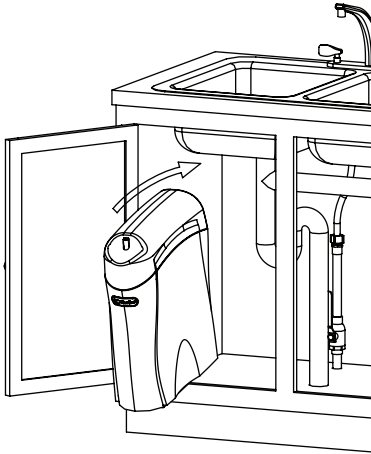
Contents

Installation Instructions	3
How to sanitise your K5	6
Using your K5	12
How it works	13
Maintaining your K5	15
Filter changes	17
Replacement filter	18
Specifications	19

Installation instructions

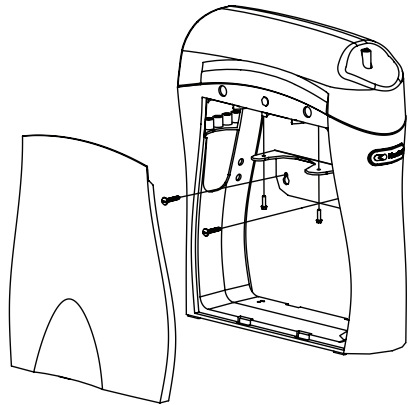
1a Unit placement:

Check if the unit will fit under the sink or...



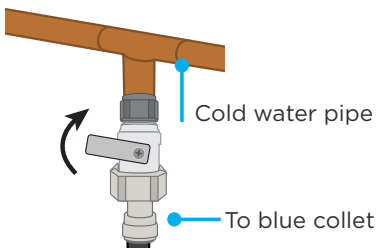
1b Unit placement:

use the wall mounting bracket supplied separately.



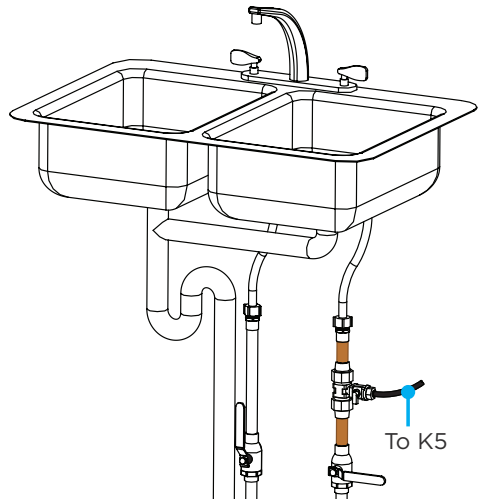
2 Install 3/8" water supply:

Connect 3/8" supply pipe to water mains via isolation valve.



Please note:

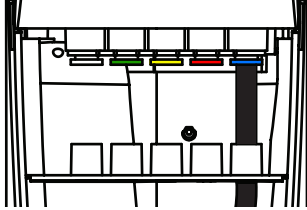
Do not use self-piercing valves. Installation must be in accordance with water bylaws and plumbing regulations. Minimum feed water pressure 35 psi (2.5 bar).



3 Water supply connection:

From left to right:

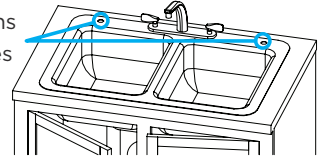
White
Green
Yellow
Red
Blue



4 Tap mounting preparation:

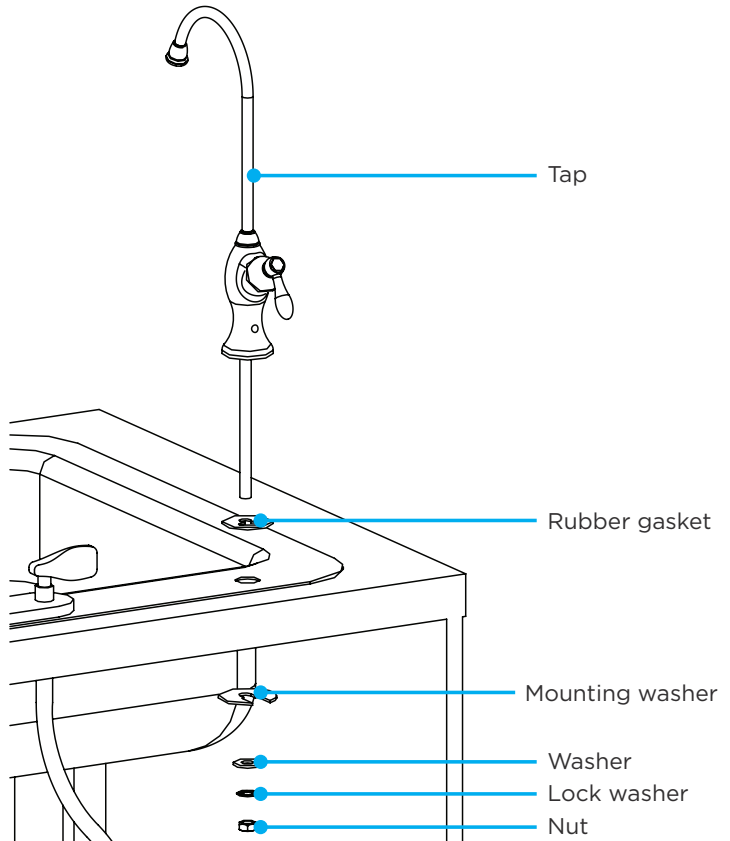
Drill a tap mounting hole \varnothing 13mm in **one** of the following locations.

Positions for holes



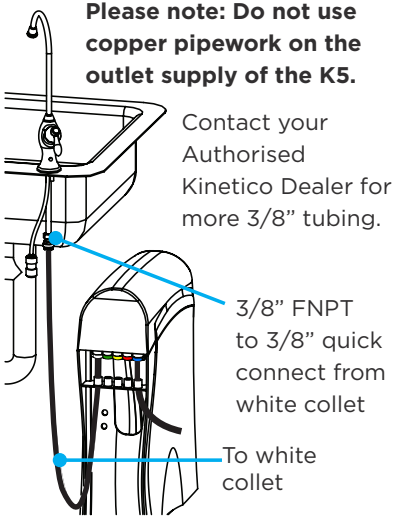
5 Tap installation:

Install the tap.



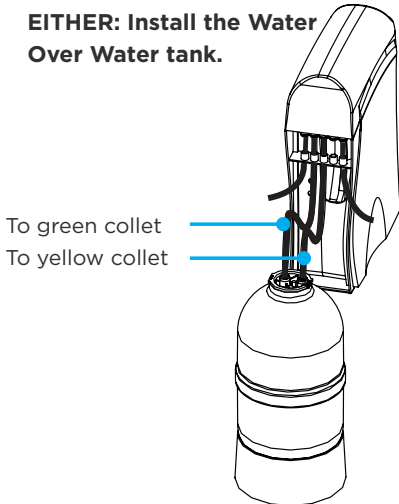
6 Connect tap to unit:

Please note: Do not use copper pipework on the outlet supply of the K5.



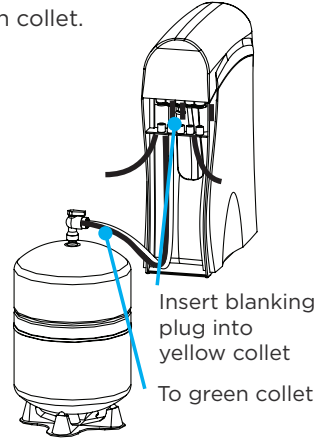
7a Install the tank - Option A:

EITHER: Install the Water Over Water tank.

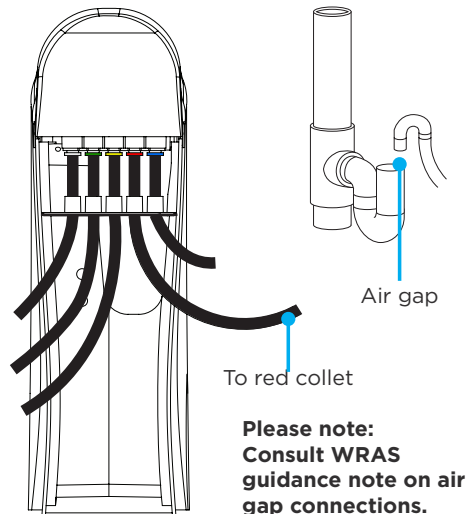


7b Install the tank - Option B:

OR: Install the the Air Charge tank. Insert a blanking plug into yellow collet, follow the instructions below to change the 'spacer' and attach the tank to the green collet.



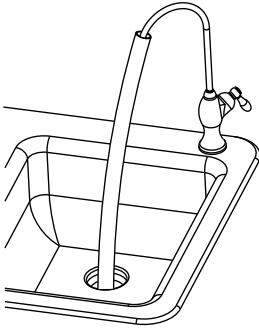
8 Install the drain:



How to sanitise your K5

1 Attach a pipe:

This will avoid any spray.

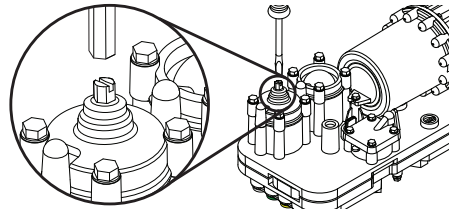


2 Ensure 'Jack Screw' is closed:

Using a flat headed screwdriver or a 1/4" driver, ensure the 'Jack Screw' is closed. Turn clockwise until stiff.

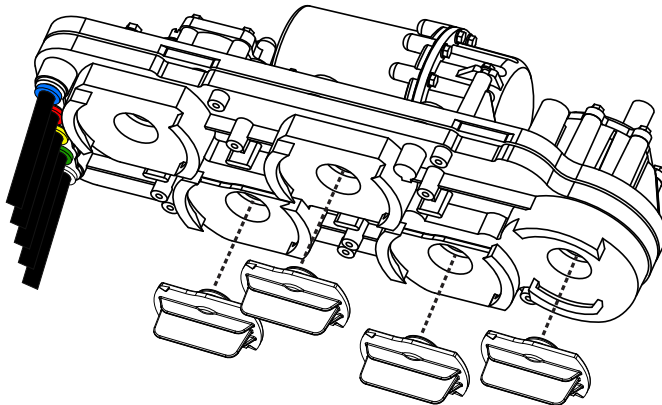
Please note:

Take care not to overtighten



3 Install cartridge plugs into all locations - except the prefilter:

To install, add silicone to each plug then push plug into position and turn 90° clockwise.

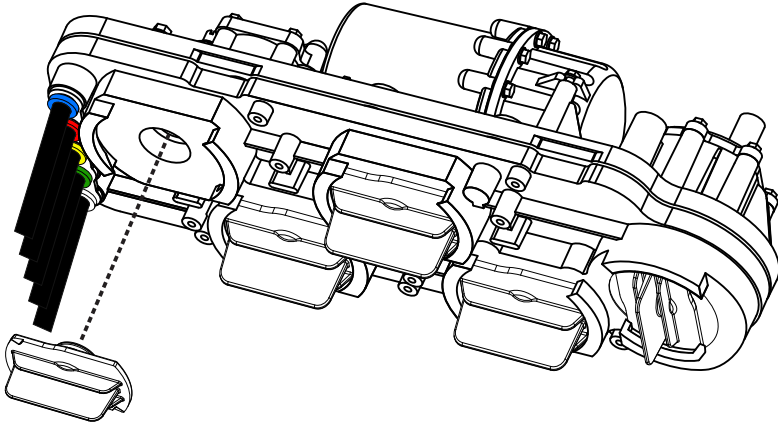


4 Add a crushed chlorine dioxide tablet:

Crush a chlorine dioxide tablet whilst still in its packet, then pour into a plug and install in prefilter location.

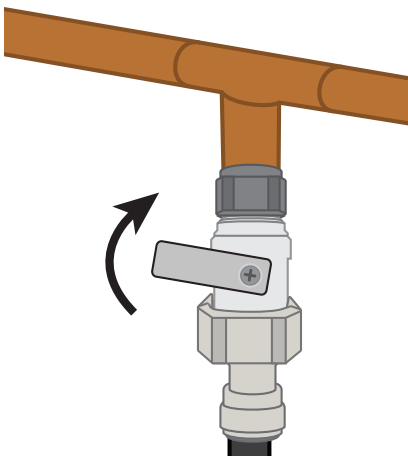
Important:

Safety glasses and rubber/latex gloves must be worn during sanitisation.

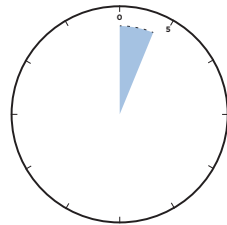


5 Slowly open the inlet valve:

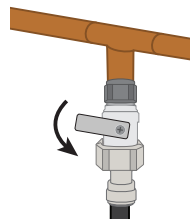
This will allow the unit to fill.



6 Wait 4 minutes:

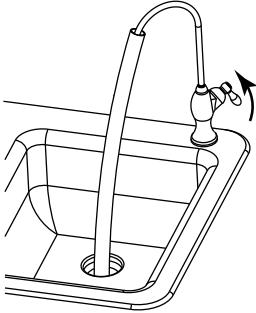


7 Close the inlet valve:



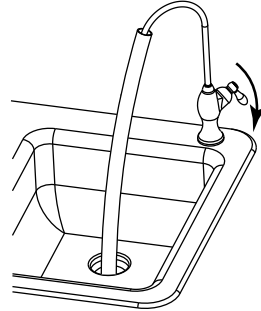
8 Slowly open the tap:

This will depressurise the system. It does not need to be opened fully.



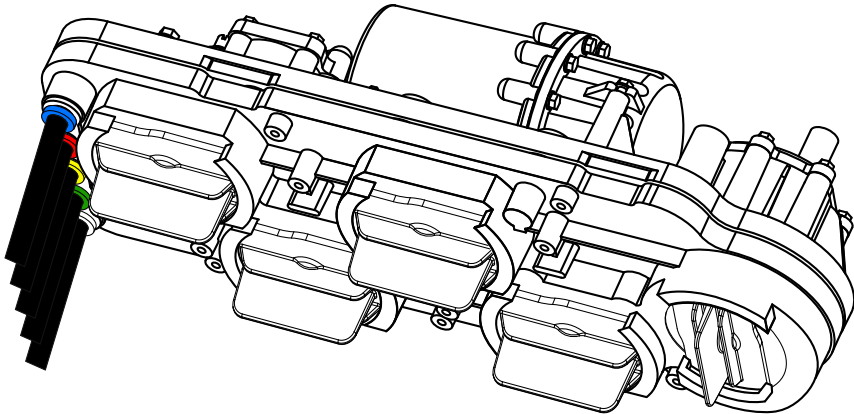
9 Close the tap:

Close only when air and water have stopped coming out

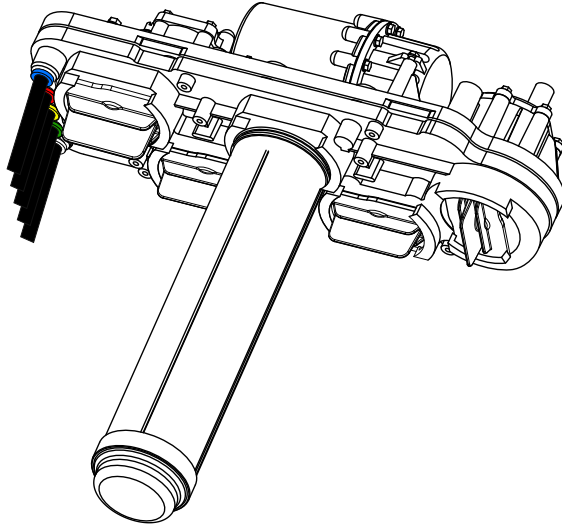


10 Repeat step 4 - Add a crushed chlorine dioxide tablet:

Crush a chlorine dioxide tablet whilst still in its packet. Remove the prefilter plug. Take care as there may still be remains of the tablet. Pour crushed tablet into a plug and reinstall.

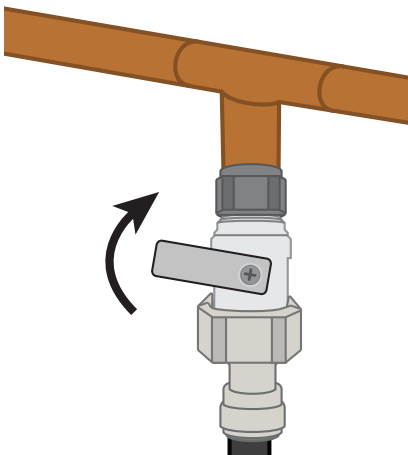


11 Remove plug from membrane port and install membrane cartridge:

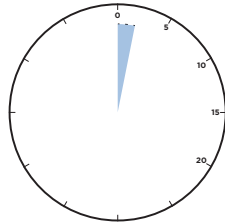


12 Slowly open the inlet valve:

This will allow the unit to fill.

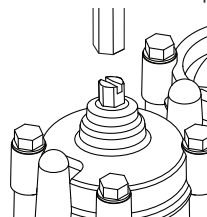


13 Wait 2 minutes:



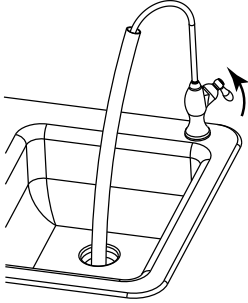
14 Open the 'Jack Screw':

Turn anti-clockwise to open.



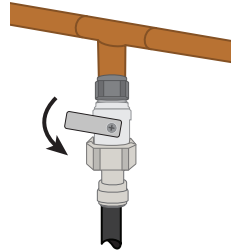
15 Open the tap:

Water will slow to a dribble. Leave the tap open.



16 Close the inlet valve:

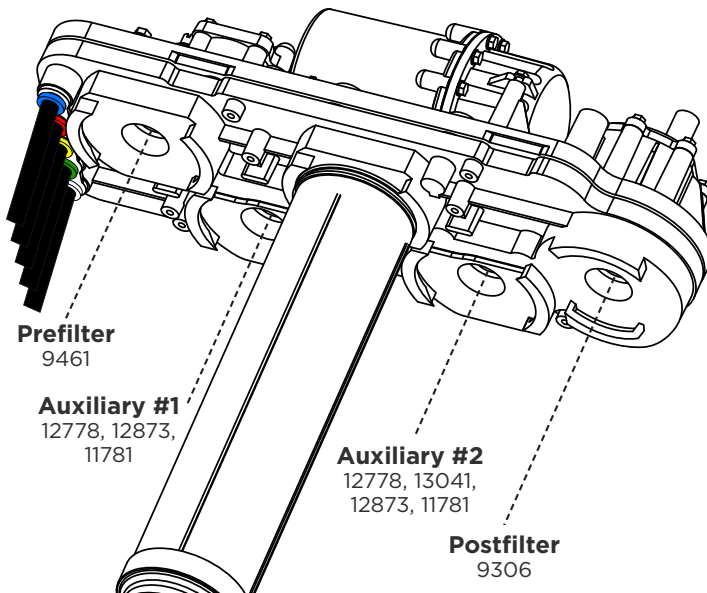
Close only when air and water have stopped coming out.



17 Install the new filters:

Note which filters need to be installed. Remove the appropriate plugs and install with new filters.

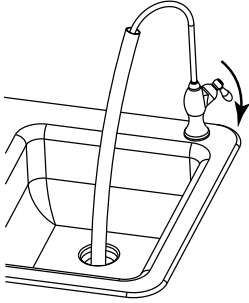
Filters must already be prepared according to their installation instructions.



Auxiliary Filters:
12778 - VOC Guard | 12873 - Purefecta Guard | 13041 - Mineral Plus | 11781 - Arsenic

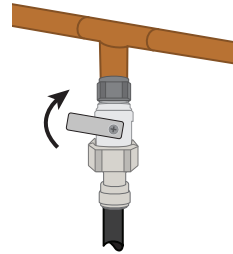
18 Open the inlet valve:

This will allow the unit to fill.



19 Close the tap:

Close when there is a steady trickle of water.



20 Drain the tank:

Leave for 2 hours and then open tap until the flow has diminished. This will empty the tank.

Close the tap, then repeat 2 hours later.

The unit is then ready for use.

Using your K5

Water is the most important liquid in the world:

Although the water you use for drinking and cooking constitutes less than one percent of all water used in the home, its quality is probably most important to you. Experts suggest you drink approximately 2 litres (8 glasses) of water a day. Now that you have a K5 Drinking Water Station, you can rest assured you're drinking clean, high quality water. And it will taste great too. With a K5 Drinking Water Station, drinking the recommended 8 glasses of water will be a pleasure, not a chore.

Let your taste buds decide:

You may find you can use less tea, coffee and concentrated juice when making drinks with your filtered water, and still get the desired taste. It also won't be necessary for you to de-scale your kettle or coffee maker.

Ideal for cooking and baking:

Don't forget to use water from your K5 Drinking Water Station when cooking pasta, or washing fruit and vegetables. If a recipe calls for water, reach for your special filtered drinking water tap.

Irons and small humidifiers/vaporisers:

For extended operation and easier maintenance, use Kinetico filtered drinking water in irons and small humidifiers. You will no longer have to buy distilled water or suffer the consequences of using common tap water in irons and humidifiers.

Make ice cubes:

If your refrigerator/freezer is equipped with an ice maker, you may want to consider running a line from your K5 to the ice maker.* If you don't have an ice maker, be sure to fill your ice cube trays with Kinetico filtered drinking water. Either way, you will be able to enjoy better tasting, clearer ice cubes.

*Pure+ models: Only use pipe supplied by your Kinetico dealer.

Houseplants and pets:

Don't forget about your plants and pets, they will love Kinetico filtered drinking water too!

How it works

The K5 Drinking Water Station offers exclusive six-stage protection to ensure you're always getting good, clean water.

The K5 Drinking Water Station reduces the heavy metals, chemicals, minerals, and objectionable tastes and odours that may be present in your water. We even offer a filter that can add minerals back into your treated drinking water if required.

1 Prefilter:

The first filtration stage prepares the water for the reverse osmosis process. The filter captures sediment and small particulate matter, and reduces chlorine protecting the reverse osmosis membrane and enhancing its performance.

Replacement filters

Carbon and Sediment Prefilter – Part number 9461

2 Reverse osmosis membrane:

After prefiltration, the water travels to the reverse osmosis membrane where the primary filtration is performed. Here, water is forced through a semi permeable membrane under pressure, where most minerals, chemicals and objectionable matter that might have been present in your water are flushed down the drain.

Replacement filters

Reverse Osmosis Membrane – Part number 12752

3 Auxiliary filter #1 and #2:

Stage 3 gives you the flexibility to meet your needs by offering a variety of filters.

VOC Guard Removes volatile organic compounds. See performance datasheet for a list of contaminants.

Arsenic Guard* Working with the RO membrane, the Arsenic Guard is able to remove both Trivalent Arsenic and Pentavalent Arsenic. See performance datasheet for more information on the two forms of arsenic.

Mineral Plus* Adds calcium back into your drinking water if required.

Purefecta Virus/Bacteria Guard Certified by the WQA to remove more than 99.99% of viruses and 99.99999% of bacteria. When used in conjunction with an air charge tank and prefilter (Part numbers 9309 or 9461), the K5 Drinking Water Station equipped with Purefecta Virus/Bacteria Guard

is considered a microbiological purifier.

Replacement filters

Purefecta Virus/Bacteria Guard -

Part number 12873

VOC Guard - Part number 12778

Arsenic Guard - Part number 11781

Mineral Plus - Part number 13041

*Tested and verified by independent laboratory testing.

4 Storage tank:

After the water is processed through the first four stages, it is stored in a tank until needed. Unlike other storage tanks available, the Water over Water tank uses your home's water pressure to deliver Kinetico water from your storage tank to your drinking water tap. This ensures you'll have a steady, consistent flow of water from your tap, even if your storage tank is almost empty.

5 Postfilter polisher:

After leaving the storage tank, the water travels to the next stage of protection, the MACguard Filter. Containing activated carbon, the MACguard Filter gives a final polish, further reducing unpleasant tastes and odours.

Replacement filters

Taste and Odour Filter - Part number 9306

6 Taps:

The final protection is a lead-free tap, mounted on your sink. With this tap, you can be sure that lead won't be added to your drinking water.

Maintaining your K5

The Kinetico K5 Drinking Water Station takes the guesswork out of quality water. It will indicate when routine maintenance is required to keep your K5 working correctly.

Filter changes:

Filter is new



Filter has expired and needs replacing



If you open your tap and get very little or no water, it could mean: your storage tank is out of water and more is being produced, or your MACguard Filter has shut off. Check your filter's PureMometer® to see if the MACguard Filter has shut off.

Periodically checking the PureMometer® could alert you to upcoming filter shutdown before it happens. If the MACguard Filter has not shut off, wait an hour or two and try the tap again. How long a MACguard Filter will last

depends on your drinking water usage. A family of four with average drinking water use can expect the filter to last approximately 6 - 12 months. Kinetico recommends annual filter replacements even if your filter has not shut off.

When your MACguard Filter does shut off, we recommend you call your local, authorised Kinetico dealer. They will change your filters, completely sanitise your unit, check your water and make sure your filter is operating properly. If you choose to install your new filters yourself, follow the instructions carefully.

WARNING:

Never attempt to remove the pre or post filters without isolating the supply and depressurising the system. In order for your K5 to remain a microbiological purifier it must be sanitised by an authorised Kinetico dealer.

Shutting off the system:

If you should ever discover a problem with your K5, turn off the water supply to the system. Then call your local, authorised Kinetico dealer for service.

The reverse osmosis system contains replaceable components critical to the efficiency of the filter. Any replacement reverse osmosis component must be

identical to the one listed in this manual to assure the same efficiency and contaminant reduction performance. Recommended supply water hardness is 0 to 170 ppm for extended product life. Do not use where water is microbiologically unsafe or with water of unknown quality. Filters claiming cyst reduction may be used on disinfected water containing filterable cysts.

If you plan to be away from home for more than a few days, shut off the water supply to your system to extend its life. You may also want to drain the drinking water storage tank upon your return to ensure the freshest water.

Filter changes

We recommend you contact your local authorised Kinetico dealer to carry out a filter change and sanitisation of the K5.

If you choose to change the filters on your K5 Drinking Water Station yourself, wash your hands thoroughly and do not touch any internal portions of the filter.

We advise that you contact your authorised Kinetico dealer to have the unit sanitised.

NOTE:

The K5 Drinking Water Station's operational, maintenance and replacement instructions must be followed to ensure proper filter performance. Instructions are printed on each filter.

NOTE:

Although great care is taken to provide a sanitised drinking water unit, possible contamination can result from vendor products, assembly, packaging, shipping or extended storage time. Proper sanitisation at time of installation is required.

IMPORTANT:

Do not drink water from your K5 during sanitisation.

WARNING:

To avoid possible injury and property damage, this filter must be properly depressurised before attempting to remove any filter or other component.

WARNING:

Safety glasses and rubber/latex gloves must be worn during sanitisation.

WARNING:

After completing the sanitisation procedure, the storage tank must be completely filled and drained twice before water can be consumed.

Replacement filter

To ensure optimum performance, continued warranty coverage and continued compliance with certification standards, you must replace the pre and post filters annually or upon filter shutoff, whichever occurs first. Use the following chart to determine which filters are appropriate.



Prefilter (A):

Carbon/Sediment Prefilter (chlorine & sediment only) - Part number 9461

Auxiliary #1 (B):

Purefecta Virus/Bacteria Guard - Part number 12873

VOC Guard - Part number 12778

Arsenic Guard - Part number 11781

RO Membrane (C):

Part number 12752

Auxiliary #2 (C):

Purefecta Virus/Bacteria Guard - Part number 12873

VOC Guard - Part number 12778

Arsenic Guard - Part number 11781

Mineral Plus - Part number 13041

MACguard Postfilter (E):

Taste and Odour Postfilter - 9306

Specifications

TDS maximum level	3000 ppm*
pH Range	3-11
Pressure Range	35-120 psi (2.41-8.27 bar) 40 psi (2.76 bar) minimum or Nitrate reduction
Temperature Range	35° - 100° F (2° - 38° C)
Water Supply	170 ppm hardness, 0 - 0.1 iron
Rated Filter Capacity (Auxiliary and Postfilter)	1895 Litres
Maximum Daily Production Rate	283 Lpd
Water Recovery WOW Tank	38.8%
Water Recovery Air Charged Tank	36.1%
Typical Product Water Production Rate	193 Lpd

*Note: TDS levels above 1,500 mg/L must have greater than 50 psi (3.5 bar).

Supplied by:



The Pure Water People
Unit 1, 38 Midland Road, Staple Hill, Bristol, BS16 4NW.
www.purewaterpeople.co.uk



Kinetico UK Ltd, Bridge House, Park Gate Business Centre, Park Gate, Hants SO31 1FQ
www.kinetico.co.uk

© Kinetico 2021.