



premier

COMPACT



Water Softener

Installation and User Manual

ENG



visit www.purewaterpeople.co.uk

Contents

Safety information	3
Contents of box	5
Specifications	5
Getting to know the softener	6
Pre-installation check list	7
Installation instructions	9
Installation review	11
Commissioning instructions	12
Useful information	15

Safety information

Read all information carefully prior to installing and using the water softener.

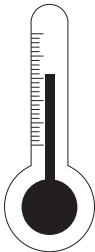
Qualified Installer



INSTALLER

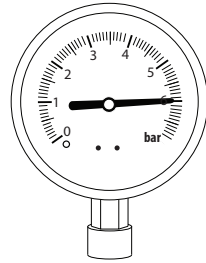
Kinetico recommends that a qualified installer performs the installation. Failure to do so could invalidate the Limited Warranty.

Water Temperature



Do not install the Kinetico softener in an area where the water temperature can exceed 35°C or cause the unit to freeze. Freezing temperatures will damage the system.

Water Pressure



Do not install if the supply water pressure exceeds 6 BAR (87 psi), unless a suitable pressure regulating valve has been installed on the softener water supply.

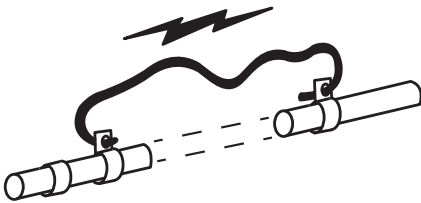
Overflow

VERY IMPORTANT:

Where a cabinet overflow could cause damage, you must install a 1/2" I.D. hose to the barbed fitting on the cabinet and run to a suitable outlet that is visible and capable of taking the overflow (i.e. through the outside wall).

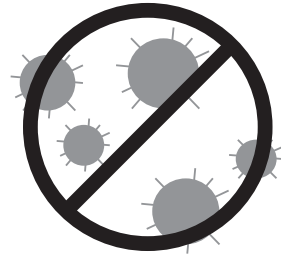
Make sure the hose does not go higher than the barbed fitting as the water will flow away using gravity.

Copper/Plastic Pipework



Where copper and plastic pipework is used, Kinetico advises adherence to the regulatory requirements to ensure adequate earth bonding is provided.

Intended Use



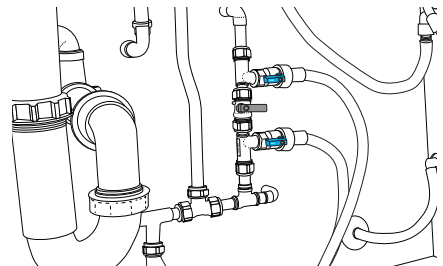
Not intended to be used for treating water that is micro-biologically unsafe or water that has an unknown quality, without adequate disinfection before or after the system.

WRAS Approval



WRAS approval for the Kinetico Premier Compact Water Softener applies to cold water (below 23°C) installations only.

Plumbing Schematic



Please refer to the plumbing schematic before commencing an installation.

Contents of box

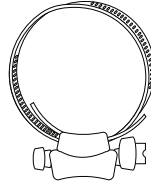
Identify the following parts before proceeding.



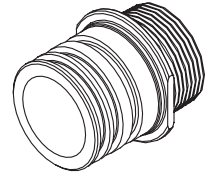
1 x in/out retaining bracket and pin



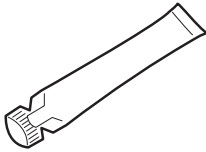
4 x o-ring



Jubilee clip



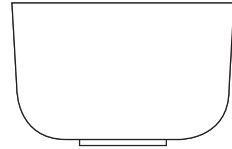
2 x 1/4" BSP in/out adaptor



1 x 2cc silicone tube



2 x 1/4" screened washers



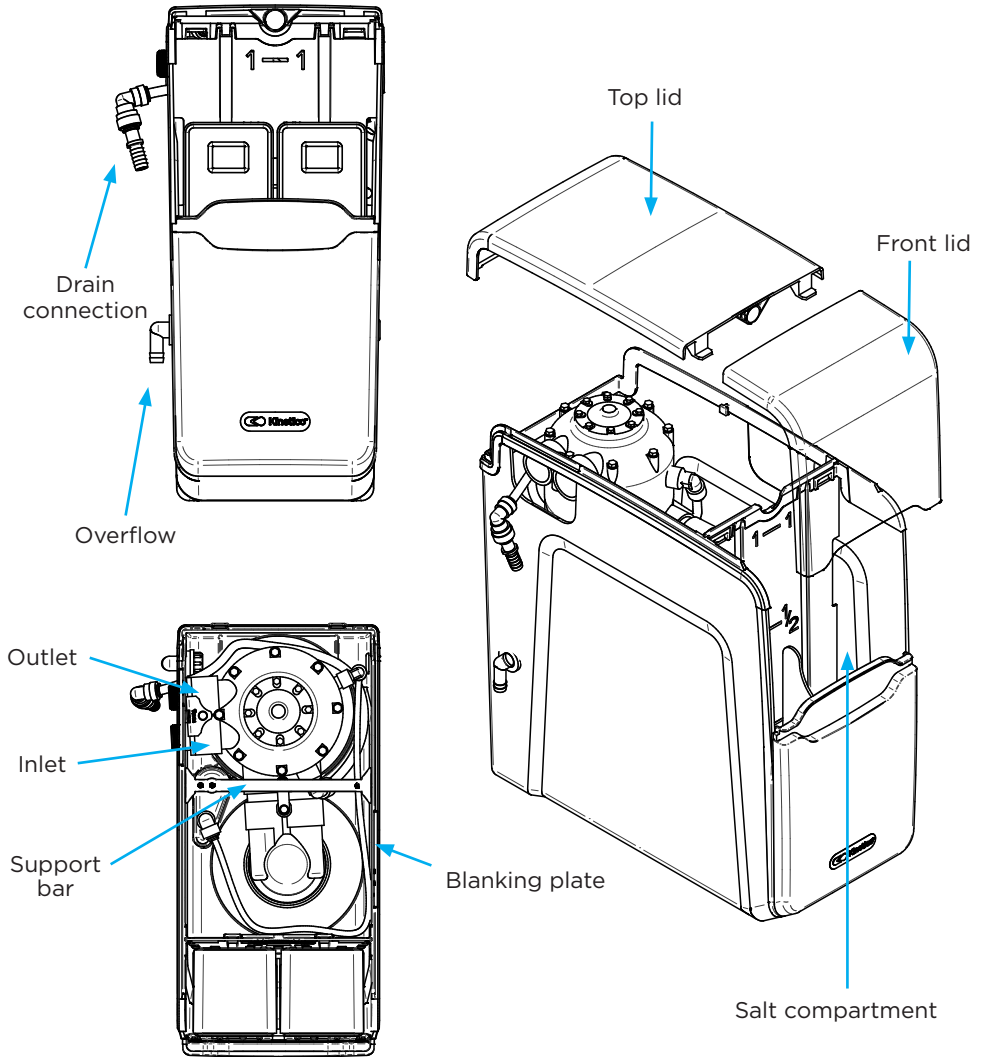
1 x blanking plate

Specifications

Meter Disc	Type	1	2	3	4	5	6	7	8
Max hardness (in mg/L)	HE	57	120	173	241	309	379	448	507
	HF	63	125	186	246	305	362	419	474
Litres between regenerations	HE	2150	1075	717	537	430	358	307	269
	HF	1961	980	654	490	392	327	280	245

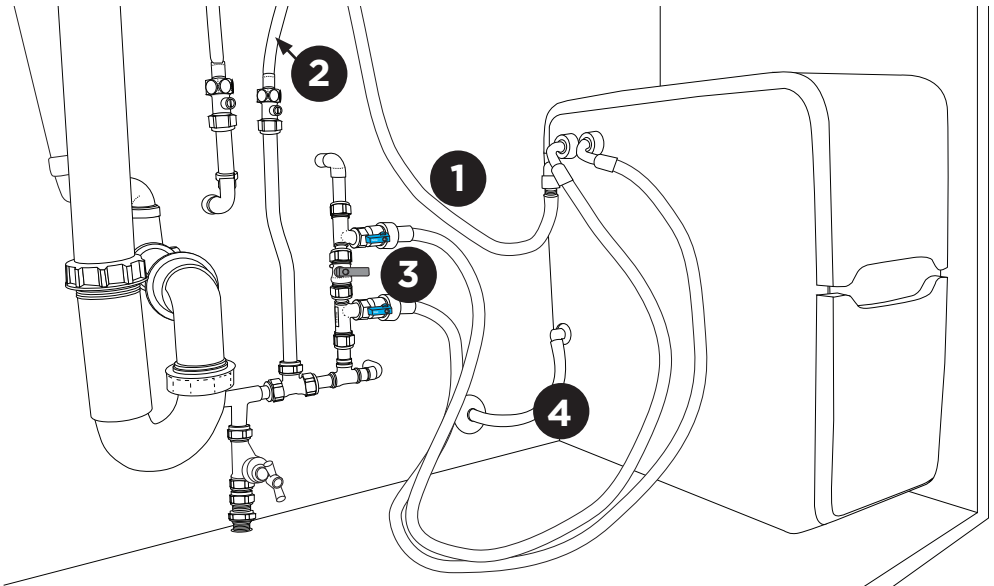
Type	HE	HF
Cabinet dimensions (h x w x d)	498 x 219 x 468 mm	498 x 219 x 468 mm
Salt used per regeneration	0.34 kg	0.34 kg
Regeneration time	11 minutes	11 minutes
Flow rate @ 15 psi drop	16.6 L/m	33.3 L/m
Pipe connections - in/out	1/4" BSP	1/4" BSP
Min/max operating pressure	1.8 - 6 bar	1.8 - 6 bar
Min/max operating temperature	2 - 23°C	2 - 23°C

Getting to know the softener



Pre-installation check list

When determining the location of the softener, the following should be considered:



- 1** Drain line to air gap with internal trap
- 2** Mains water (see WRAS guidance note 09-07-01)
- 3** By-pass assembly
- 4** Overflow to outside/visable location

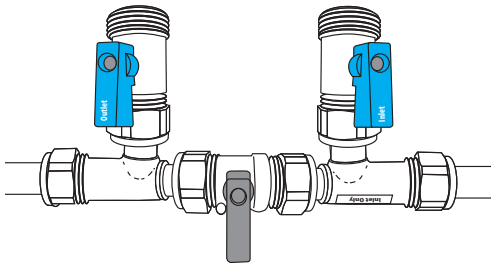
Dimensions - h 498mm x w 219mm x d 468mm

Installation will vary but should consist of:

- a:** A pressure regulating valve on the water supply to the softener where the incoming pressure exceeds 6 bar.
- b:** A non-return valve on the water main supply to the softener. If using a Kinetico supplied installation kit, a non-return valve is built into the Inlet Tee.
- c:** A by-pass assembly which enables the softener to be isolated from the water supply for maintenance and service. This also maintains the water supply when the system is disconnected.
- d:** A drain line from the softener to a waste pipe through an appropriate air gap. The drain must comply with the water regulations. Please consult WRAS guidance note 09-07-01 for advice.
- e:** An overflow run to a suitable outlet that is visible.

Ensure you have the following:

- a:** Means of constructing a by-pass which consists of:
3 valves,
Tee pieces,
Single check valve



- b:** Connections for the inlet and outlet, either by means of flexible pressure rated hoses or by direct pipework.

Connections on the softener are 3/4" BSP male threaded fittings.

- c:** 1/2" ID hose for both the overflow and the drain.
- d:** Jubilee clip for the drain line.

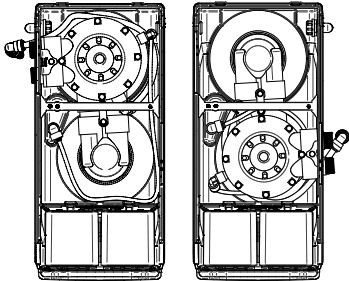
Installation instructions

1 Locate:

- a: Ensure the unit can be positioned on a flat surface.
- b: If sand, silt or turbidity is present in the water supply, a separate prefilter should be installed before the water softener.

Please note:

The softener can be installed with the connections on the left or right side of the cabinet by reversing the components.



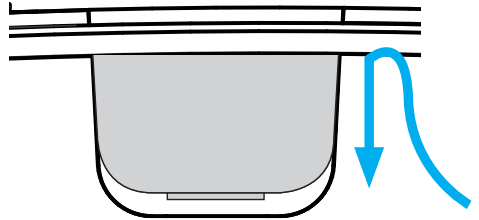
2 Remove cardboard:

Ensure all cardboard is removed from the inside of the softener.

- b: Remove top lid and support bar.
- c: Carefully remove the two pieces of cardboard, then replace the support bar and lid.

3 Insert the blanking plate:

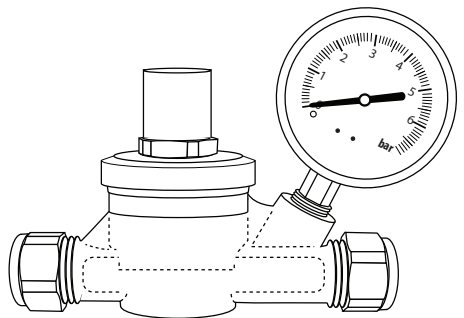
Insert the blanking plate into the outlet which is not in use.



Lift up into position, then carefully drop the plate down into the slot.

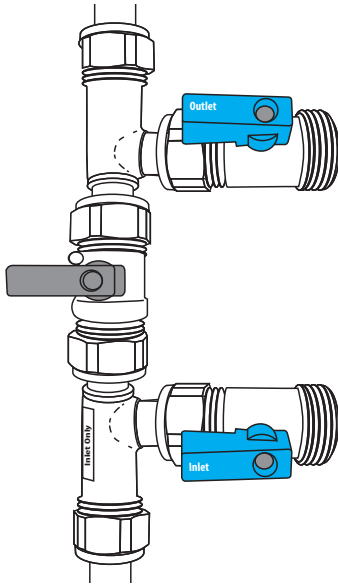
4 Test water pressure:

Test incoming pressure to the unit. A pressure regulating valve will be required if the pressure is above 6 bar.



5 Install:

Plumb pipework as necessary to accommodate a by-pass assembly.



Please note:

Verify installation complies with regional water regulations before continuing. Consult WRAS Guidance Note 09-07-01 for advice.

Caution:

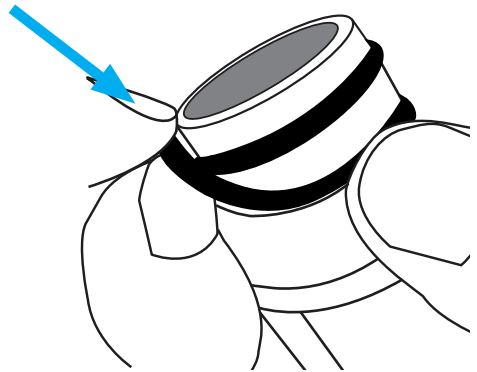
Do not solder any fitting while connected to the unit adaptors. Care should be taken during the installation process to ensure solder and flux do not come in contact with any of the components.

6 Flush:

After all the plumbing has been completed, but before connecting to the water softener, flush both inlet and outlet lines allowing water to rinse out any debris.

7 Fit in/out adapters:

- a:** Fit 2 o-rings to each in/out adaptor then lubricate with the supplied silicone grease.

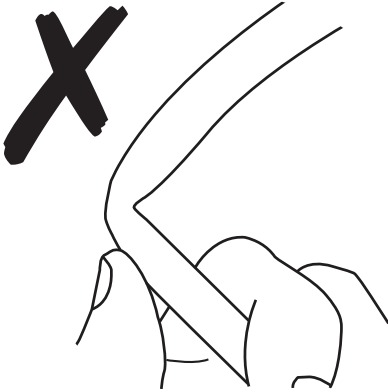


- b:** Connect the inlet/outlet adapters to the supply and return hoses remembering to use the screened washers.
- c:** Install adapters into control valve in/out ports, ensuring that they are fitted into the correct ports (see flow arrows on valve for reference).
- d:** Attach the retaining bracket and pin to the control valve.

8 Run drain line:

- a:** Run a drain line to a discharge point, checking for any obstructions or possible kinks.

FOLLOW REGIONAL WATER REGULATIONS.



- b:** Before connecting the drain line to the unit, slide on the stainless steel jubilee clip.
- c:** Push the drain line onto the barbed fitting and tighten the jubilee clip securely.

Please note:

Drain lines must not run more than 2.4m up or exceed a total of 9m. The drain line must not be restricted or kinked.

Review

1 Pressure:

Where a pressure regulating valve has been fitted, ensure it has been correctly set to 6 bar.

2 Drain line:

Ensure the drain line is securely attached, has no restrictions or kinks, uses an airgap and is fully compliant.

3 Overflow:

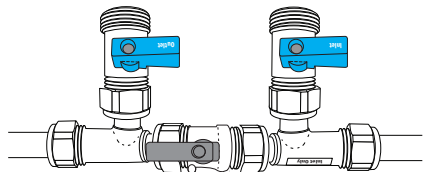
Ensure the overflow has no kinks, is securely attached and that water is able to fall away with gravity.

4 Inlet/Outlet Connections

Ensure the hoses/plumbing are attached securely, using the screened washers provided, and are firmly held in place using the retaining bracket and pin.

5 By-pass assembly:

Ensure the inlet and outlet valves are closed and that the by-pass valve is open.



Commissioning instructions

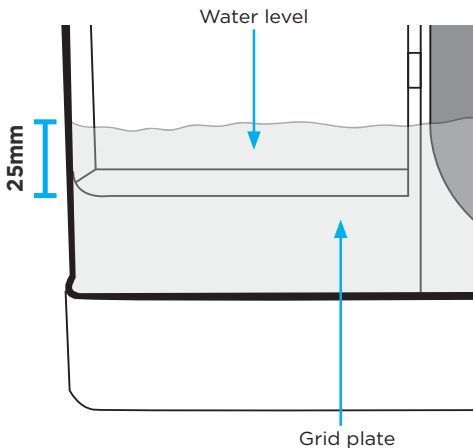
1 Pressurise:

With the water to the property restored, slowly open the inlet valve and allow the softener and pipework to pressurise. Water may run to drain until the unit is fully pressurised.

2 Fill the brine tank with water:

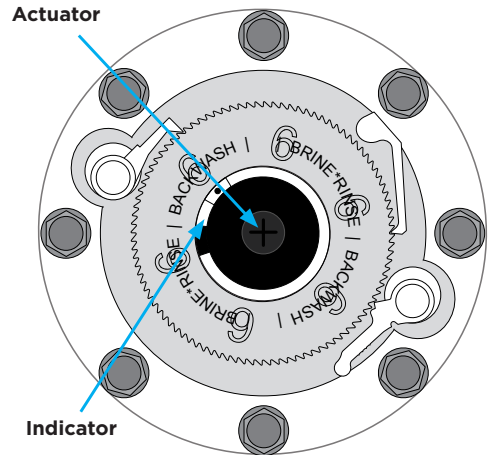
Allow the brine tank to fill with water until the brine valve shuts off. The water level should be approximately 25mm over the grid plate.

TIP: If the cabinet does not fill with water please refer to the “Useful Information” section.



3 Initiate a backwash:

- a:** Using a Phillips head screwdriver push down on the actuator, and slowly turn CLOCKWISE until the indicator dot reaches the letter W in the word “BACKWASH” on the clear cap.
- b:** You will hear a rush of water and air going to the drain.
- c:** When the cycle has finished (approx 4 mins), repeat the procedure, turn the indicator dot to the next backwash cycle and allow to finish (approx 4 mins).



4 Add salt:

For convenience, the water softener has been designed to accommodate both block and tablet/pellet salt.

Block Salt:

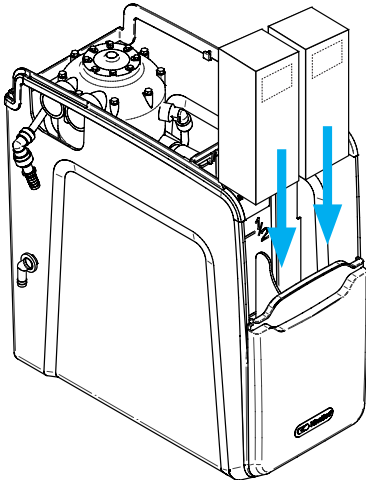
To use salt blocks, simply place them in the salt storage compartment with the indents facing forwards.

Tablet and Pellet Salt:

Simply pour into the salt compartment.

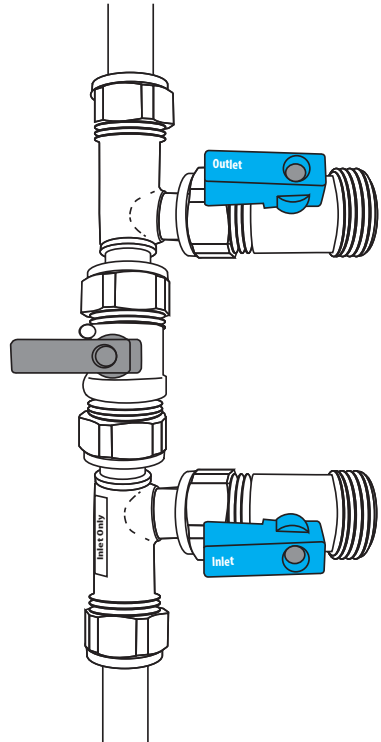
IMPORTANT: Only use salt manufactured for use in water softeners.

Do not use rock or granular salt in your system. They contain impurities which can interfere with performance and could invalidate the Limited Warranty.



5 Put the softener into service:

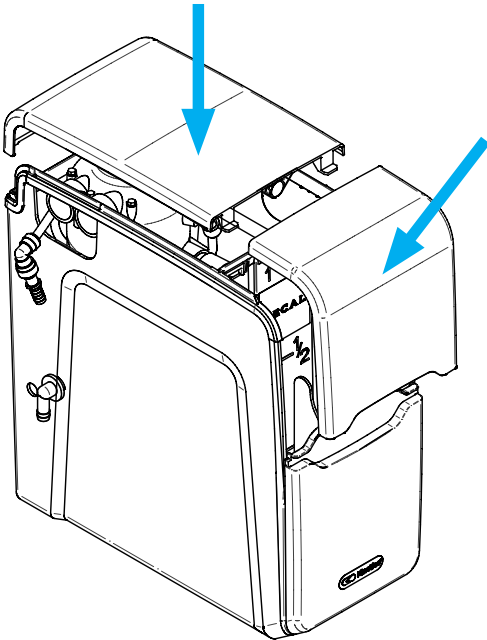
- a: After the unit has finished the second backwash and has pressurised, open the outlet valve and ensure by-pass valve is closed.
- b: Open a tap in the house to release trapped air from the lines rinse out any debris.



6 Fit the lid:

Replace the lids and check plumbing for any leaks.

The installation is now complete.

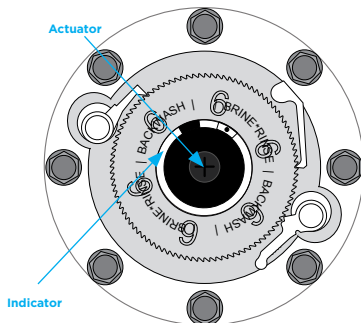


Useful information

1 Should water be present in the salt compartment?

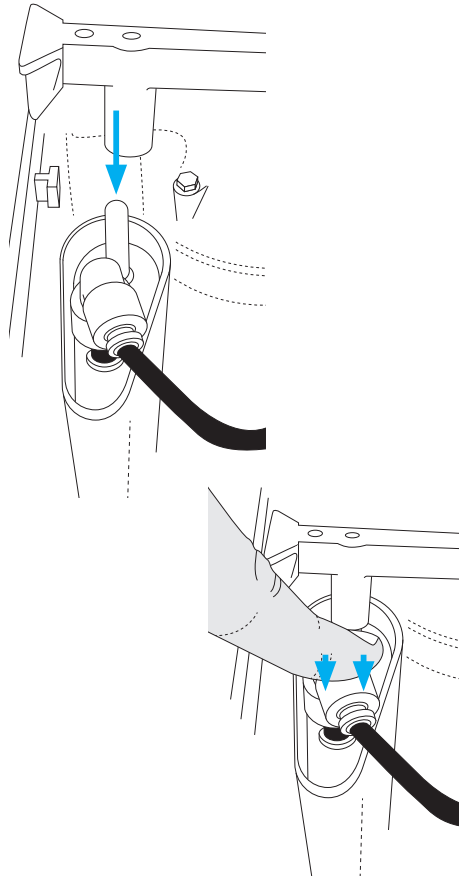
Yes, it is normal to see water at a level of 25mm above the salt grid. If water is not present to this level:

- a:** Fill softener with water until the level is 25mm over the salt grid, then conduct a manual regeneration.
- b:** To manually regenerate using a Phillips head screwdriver push down on the actuator, and slowly turn **CLOCKWISE ONLY** until the actuator tab has advanced the indicator dot to the word "BRINE".
- c:** You will hear a rush of water and air going to the drain.
- d:** When the vessel has finished its cycle (approx 12 mins), repeat the procedure, advance the indicator dot to the word "BRINE" in the next cycle and allow to finish (approx 12 mins).



2 How do I correct the water level if it sits higher than the recommended 25mm above the salt grid?

Check that the brine valve is correctly held in place by the support bar and is seated firmly on the base of the cabinet



3 Why am I experiencing varying levels of hardness?

The softener will provide soft water immediately, however, until mains water has been displaced from the pipework, storage tanks and hot water system, you will experience varying degrees of hardness.

Depending on your water system and water usage, this may take a few weeks to clear.

It is also advisable to check that the by-pass valve is closed.

4 How do I protect the softener from cold weather?

If your Kinetico Premier Compact Water Softener is installed outside or in an area that is not heated, you may want to take precautionary measures to prevent damage to your unit from freezing. Kinetico offers cabinets specifically designed to protect your softener from freezing temperatures. Please contact Kinetico for more information.

NOTE:

Kinetico's Limited Warranty does not cover damage caused to your system due to freezing. If you have any questions about your Kinetico Premier Compact Water Softener, or you suspect that your system isn't working properly, please contact Kinetico.

supplied by:



The Pure Water People Ltd
Unit 1, 38 Midland Road, Staple Hill, Bristol, BS16 4NW.
www.purewaterpeople.co.uk

0117 910 9988



Kinetico UK Ltd, Bridge House, Park Gate Business Centre, Park Gate, Hants SO31 1FQ
www.kinetico.co.uk

© Kinetico 2021.