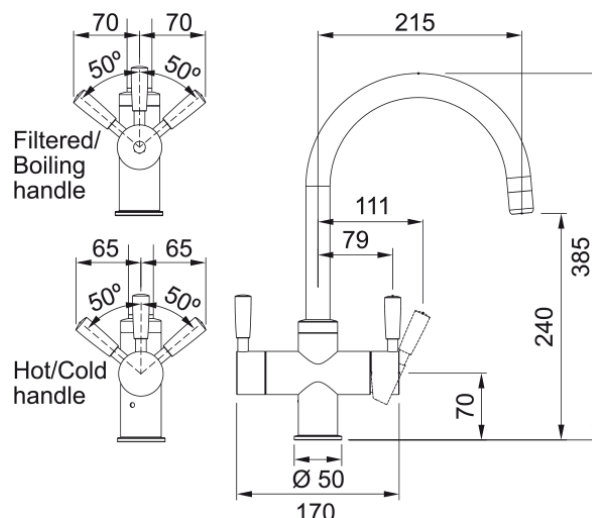


# OMNI 4-in-1 Manual St.Steel | 119.0389.913



The Omni 4-in-1 tap delivers not only hot and cold mains water but also cold and 100°C boiling filtered water. <br>It marries the timeless appeal of a swan-neck spout and elegant levers with premium high shine solid Stainless Steel. Omni: one tap does it all.

## Technical Data

### Product Information

Spout version	J - spout
Color	Stainless steel
Type of material	Stainless steel 304

### Dimensions

Tap hole diameter	35 mm
Cartridge dimension	35 mm

### Installation

Fixation type	2 Bolts
Water supply hose connection	3/8"
Flexible pull-out length	800 mm

### Product specifications

Pressure	High pressure
Version	Swivel spout
Tap operation	Side lever
Tap rotation	360°

### Product Identification

Product brand	FRANKE
Product family	Maris
Model range	Omni

### Properties

Eco water saving	No
Type of aerator	Honeycomb
Type of multifunctional system	Heating tank
Capacity water tank in litre	4L
Temperature range	105°C
Tank material	Heating tank-stainless steel